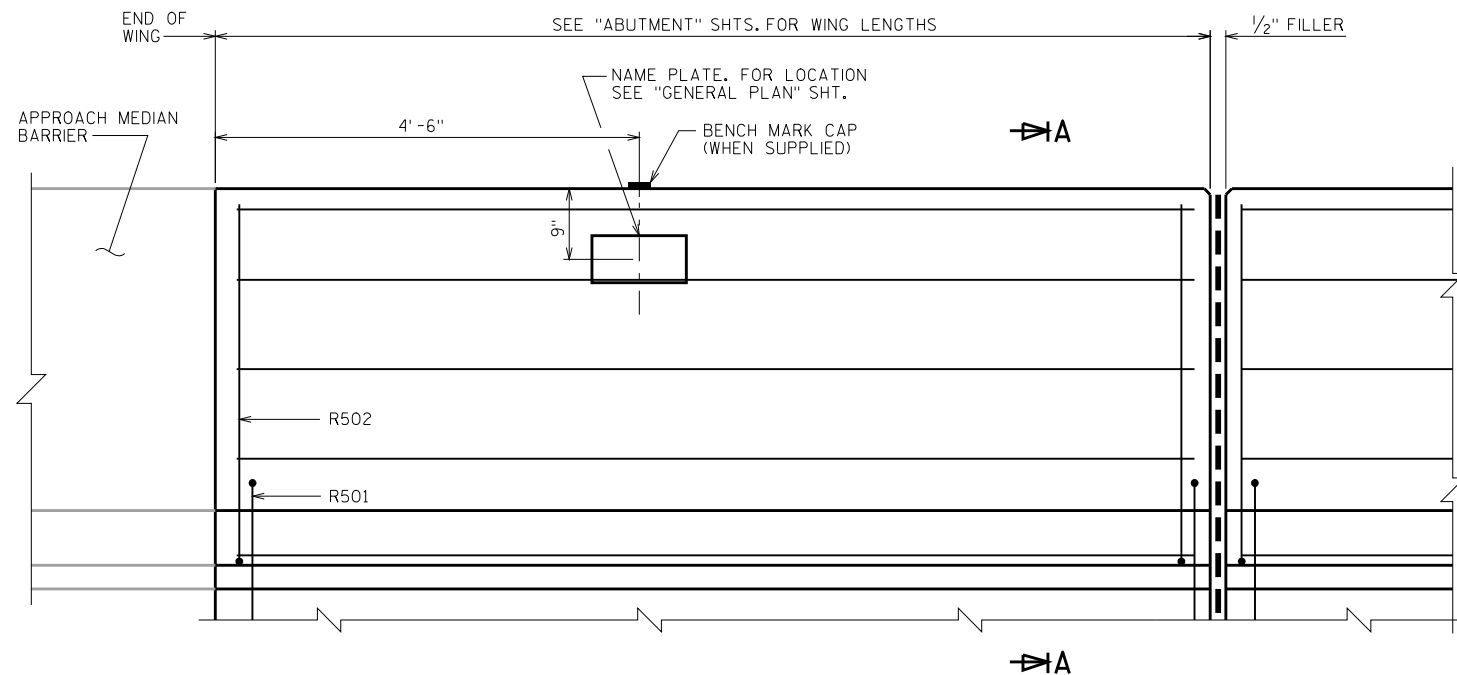


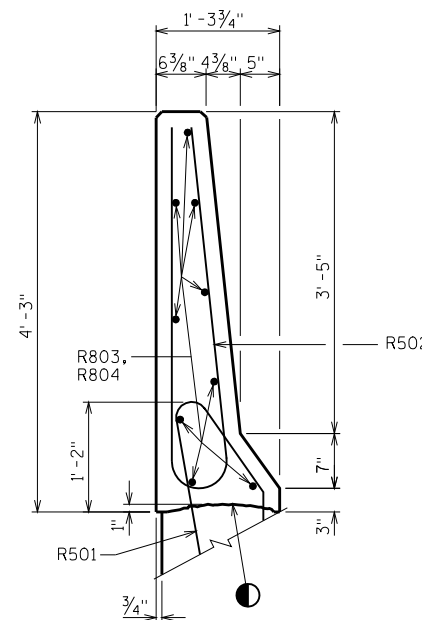
BILL OF BARS FOR ABUTMENT PARAPETS

BAR MARK	COAT	ABUT.	ABUT.	LENGTH	BENT	LOCATION
R501	X			4-6	X	PARAPET VERT.
R502	X			7-11	X	PARAPET VERT.
R803	X					PARAPET HORIZ.
R804	X					PARAPET HORIZ.

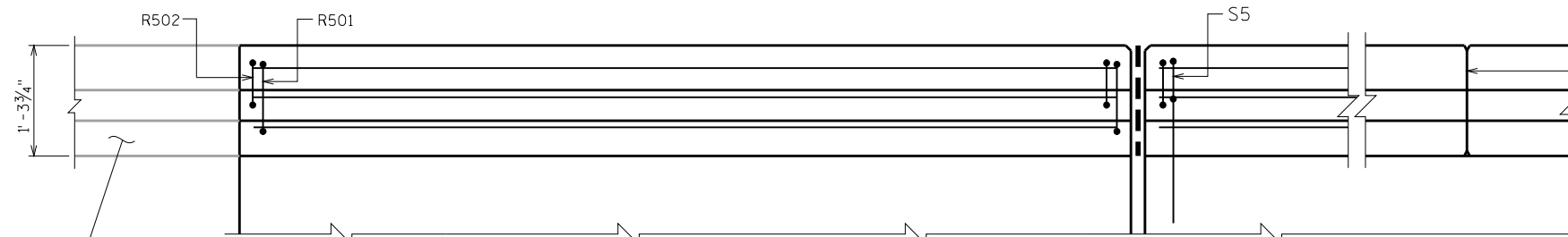
S5	X			4-2	X	PARAPET VERT.
S5	X			7-11	X	PARAPET VERT.
S8	X					PARAPET HORIZ.



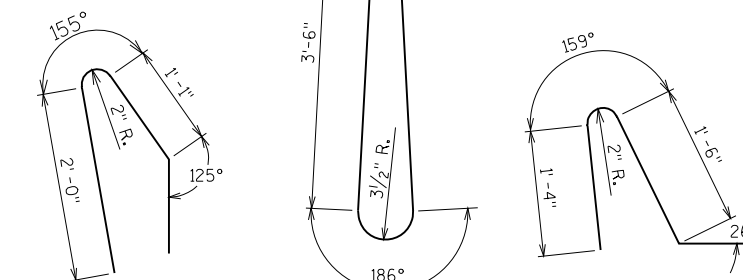
INSIDE ELEVATION



SECTION A



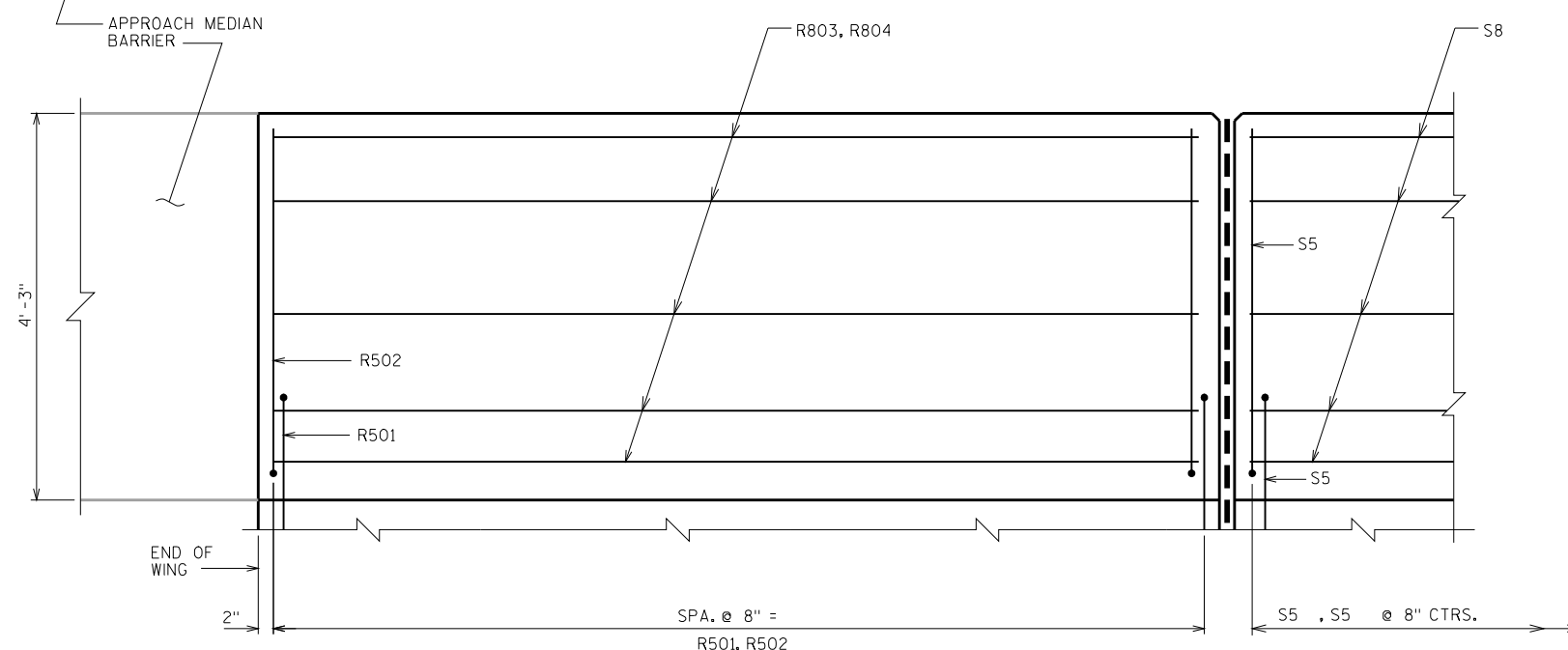
PLAN



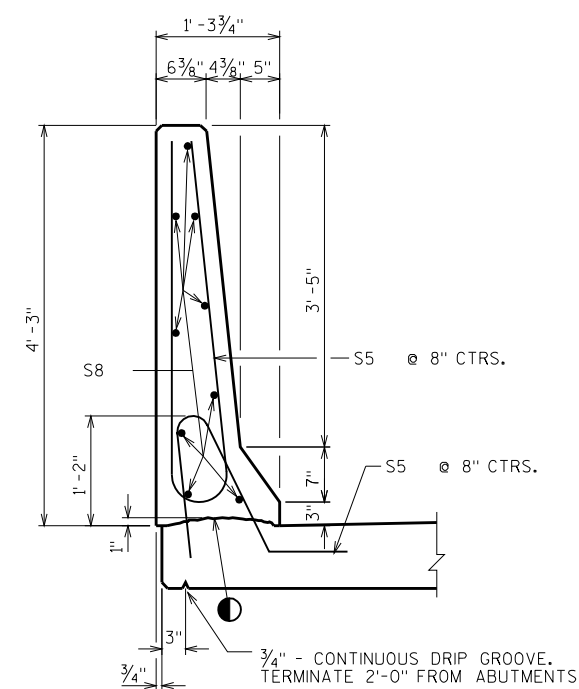
R501

R502/S5

S5



OUTSIDE ELEVATION



SECTION THRU PARAPET ON BRIDGE

● CONST. JOINT - STRIKE OFF AS SHOWN.

NO.	DATE	REVISION	BY

STATE OF WISCONSIN DEPARTMENT OF TRANSPORTATION STRUCTURES DESIGN SECTION	
STRUCTURE	
DRAWN BY	PLANS CK'D.
SLOPED FACE PARAPET "51F"	SHEET