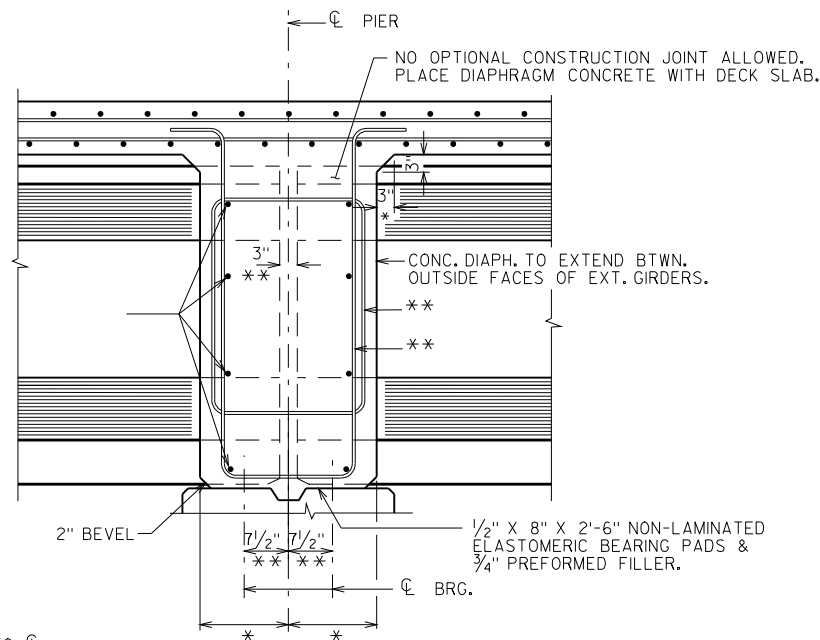
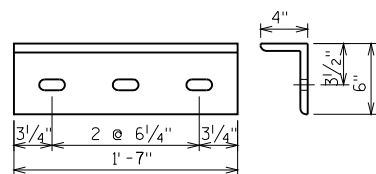


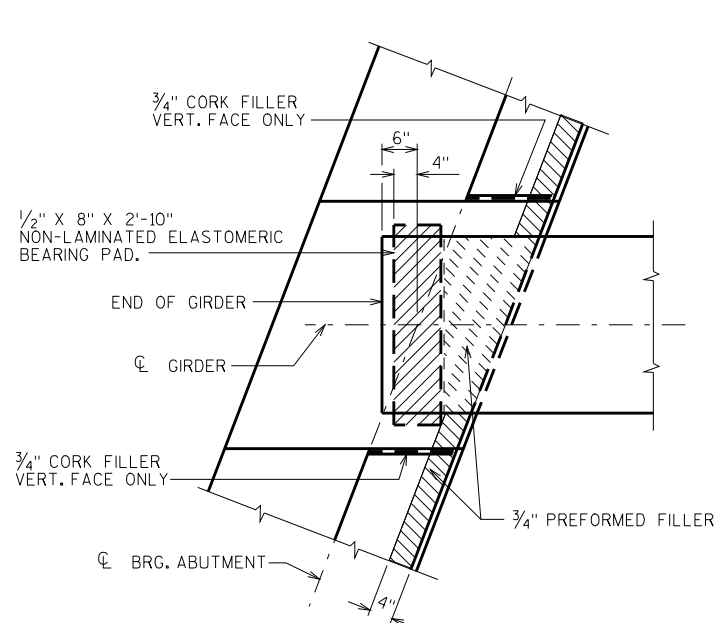
PART LONGIT. SECTION



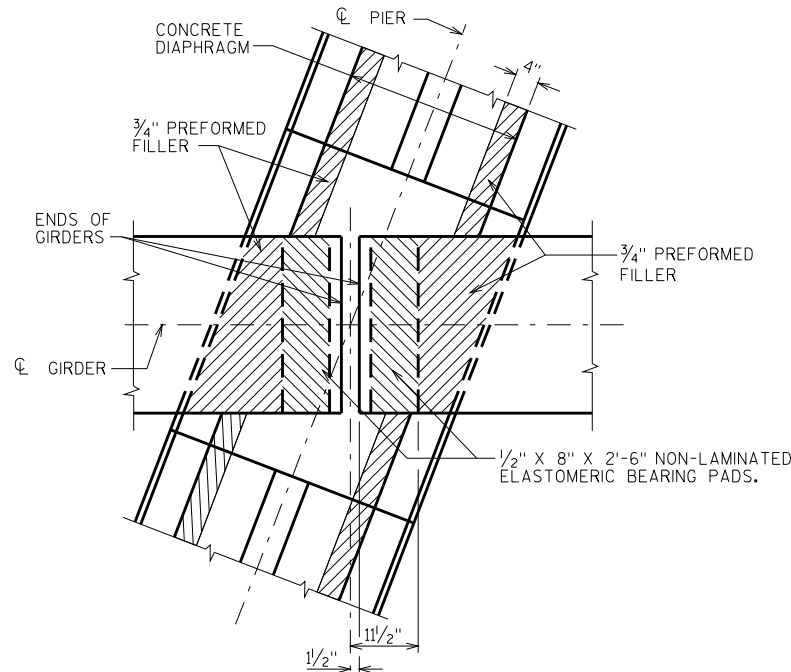
AT PIER DIAPHRAGM



ANGLE
6" X 4" X 3/4" X 1'-7"



BEARING PAD DETAIL



NOTES

DIAPHRAGM SUPPORT ANGLES SHALL BE ASTM A709 GRADE 36. ALL BOLTS, NUT AND WASHERS SHALL BE ASTM A325 TYPE 1.

ALL SUPPORT ANGLES SHALL BE HOT-DIPPED GALVANIZED. ALL BOLTS, NUTS AND WASHERS SHALL BE HOT-DIPPED GALVANIZED IN ACCORDANCE WITH ASTM A153 CLASS C. GALVANIZED NUTS SHALL BE TAPPED OVERSIZED IN ACCORDANCE WITH THE REQUIREMENTS OF ASTM A563 AND SHALL MEET THE REQUIREMENTS OF SUPPLEMENTARY REQUIREMENT S1 OF ASTM A563, LUBRICANT AND TEST FOR COATED NUTS.

ALL DIAPHRAGM SUPPORT HARDWARE SHALL BE INCIDENTAL TO "CONCRETE MASONRY BRIDGES".

NO.	DATE	REVISION	BY
STATE OF WISCONSIN DEPARTMENT OF TRANSPORTATION STRUCTURES DESIGN SECTION			
STRUCTURE			
DRAWN BY		PLANS CK'D.	
SUPERSTRUCTURE DETAILS			SHEET