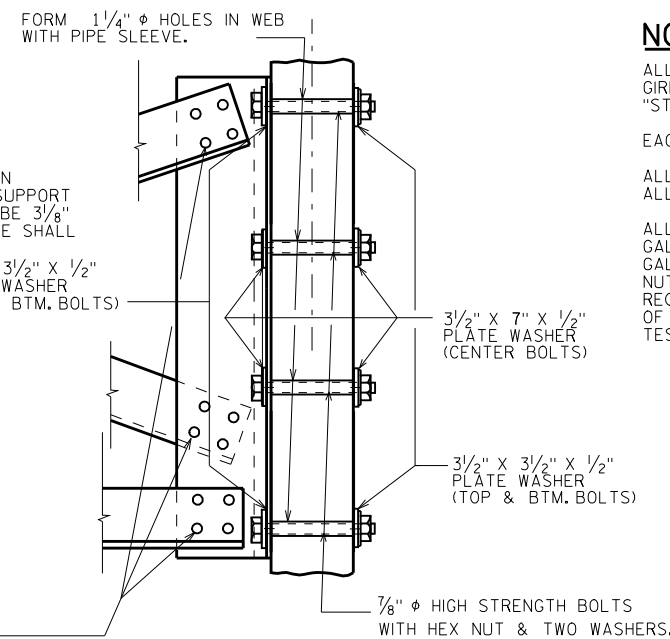


PART TRANSVERSE SECTION AT DIAPHRAGM



**SECTION AT INTERIOR GIRDERS
(FOR STAGGERED DIAPHRAGMS)**

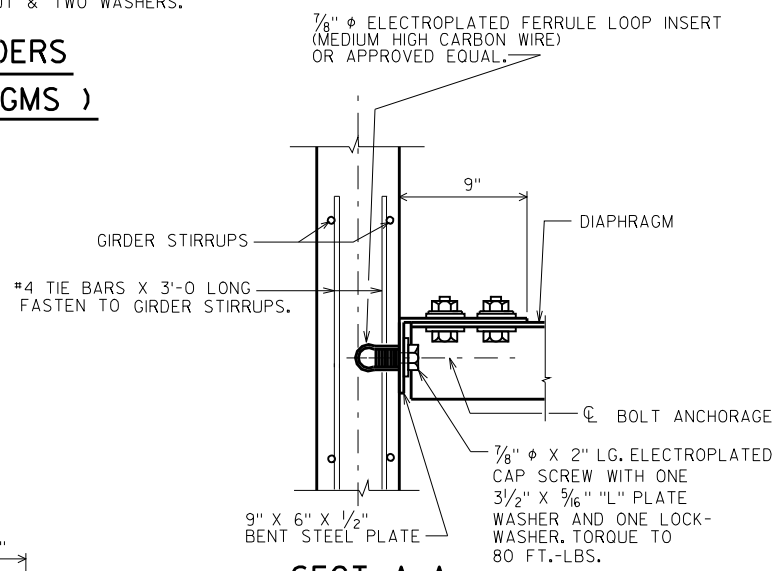
NOTES

ALL DIAPHRAGM MATERIAL NOT EMBEDDED IN THE CONCRETE GIRDER SHALL BE PAID FOR AT THE UNIT PRICE BID FOR "STEEL DIAPHRAGMS B-1-1", EACH.

EACH DIAPHRAGM BETWEEN GIRDERS SHALL CONSTITUTE ONE UNIT.

ALL DIAPHRAGM STRUCTURAL STEEL SHALL BE ASTM A709 GRADE 36. ALL BOLTS, NUTS AND WASHERS SHALL BE ASTM A325 TYPE 1.

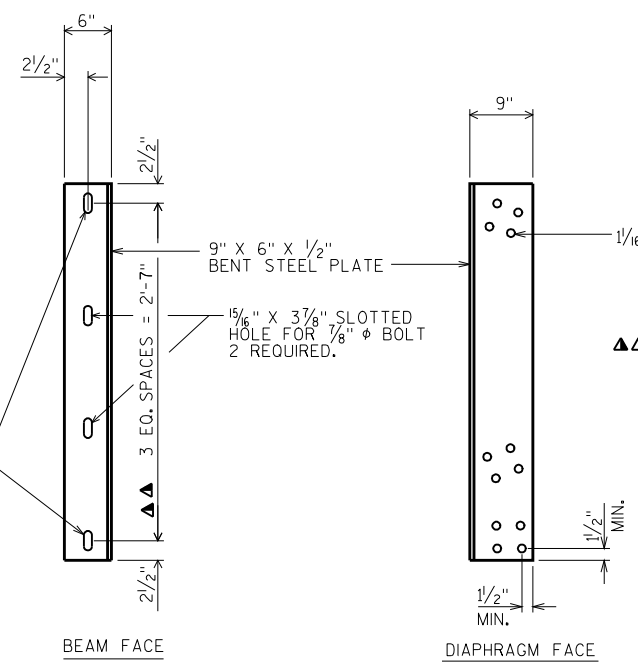
ALL DIAPHRAGM STRUCTURAL STEEL SHOWN SHALL BE HOT-DIPPED GALVANIZED. ALL BOLTS, NUTS AND WASHERS SHALL BE HOT-DIPPED GALVANIZED IN ACCORDANCE WITH ASTM A153 CLASS C. GALVANIZED NUTS SHALL BE TAPPED OVERSIZED IN ACCORDANCE WITH THE REQUIREMENTS OF ASTM A563 AND SHALL MEET THE REQUIREMENTS OF SUPPLEMENTARY REQUIREMENT S1 OF ASTM A563, LUBRICANT AND TEST FOR COATED NUTS.



SECT. A-A

(FOR EXTERIOR ATTACHMENT)

"L" = 3/2"; TOP AND BOTTOM BOLTS
"L" = 7"; CENTER BOLTS



DIAPHRAGM SUPPORT

▲▲ BOLT HOLES SHALL BE SPACED SO AS TO MISS PRESTRESSED STRANDS IN CONCRETE BEAMS.

| NO. | DATE | REVISION | BY |
|---|------|-------------|----|
| STATE OF WISCONSIN DEPARTMENT OF TRANSPORTATION STRUCTURES DESIGN SECTION | | | |
| STRUCTURE | | | |
| DRAWN BY | | PLANS CK'D. | |
| STEEL DIAPHRAGM | | SHEET | |

8

8