

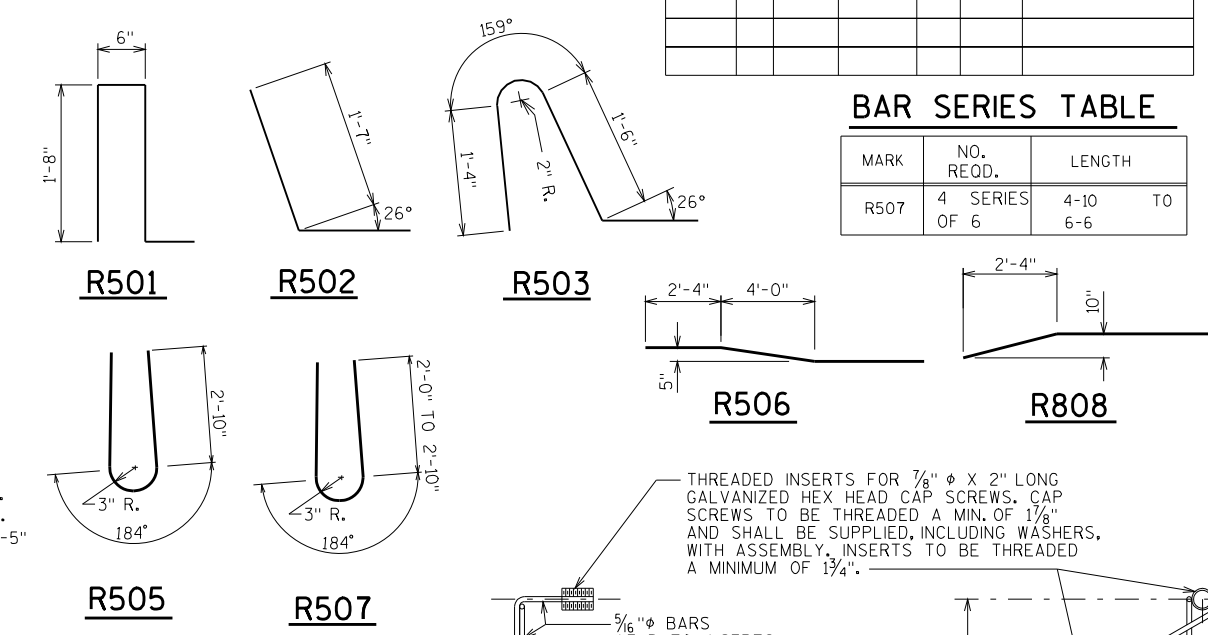
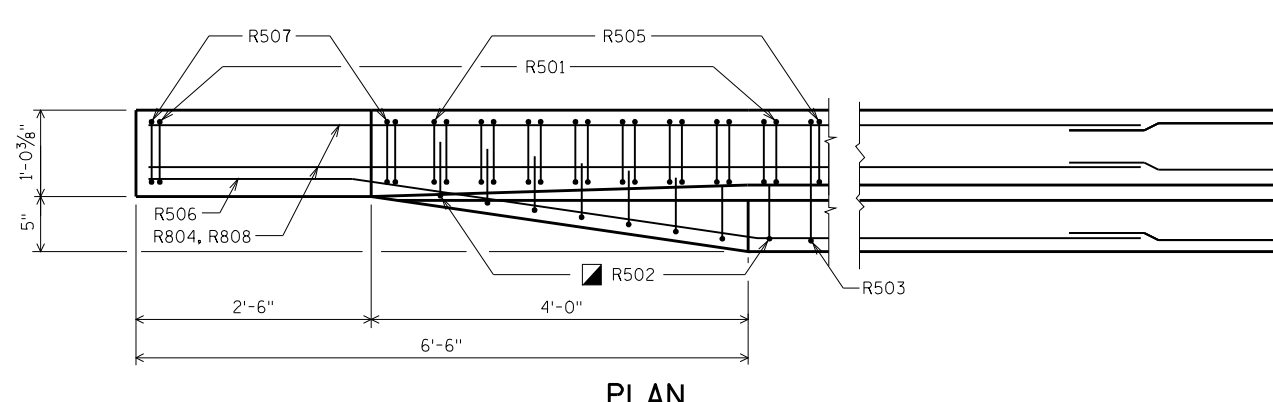
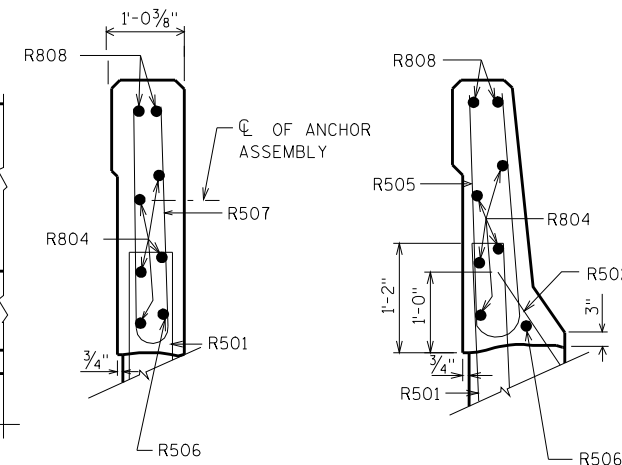
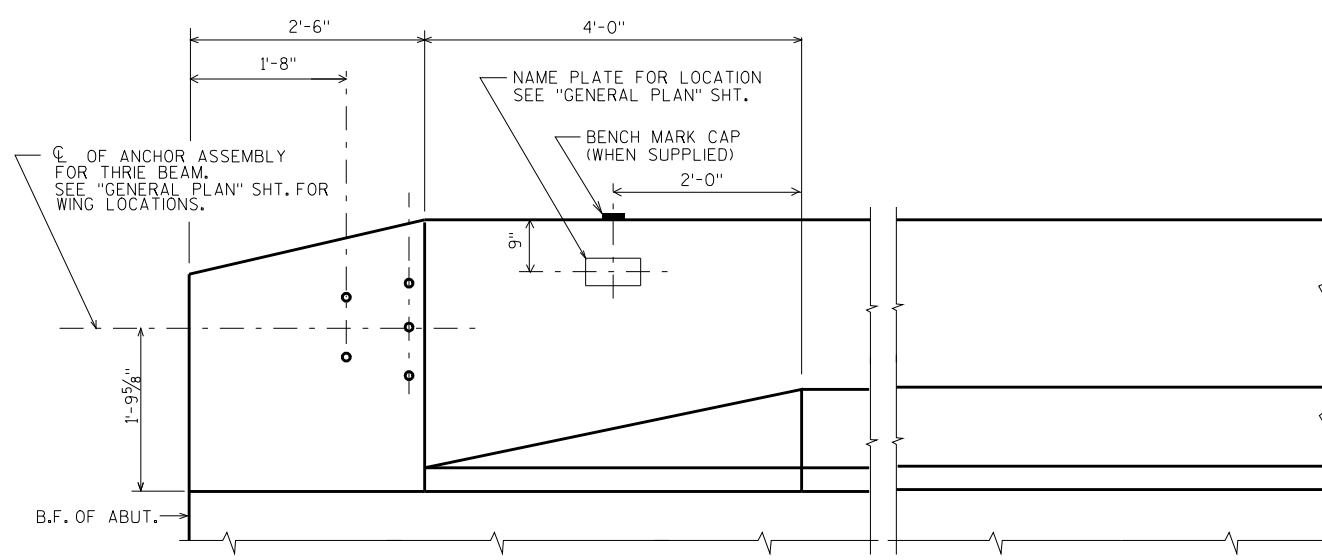
▲ LENGTH SHOWN FOR BAR IS AN AVERAGE LENGTH AND SHOULD ONLY BE USED FOR BAR WEIGHT CALCULATIONS. SEE BAR SERIES TABLE FOR ACTUAL LENGTHS.

BILL OF BARS

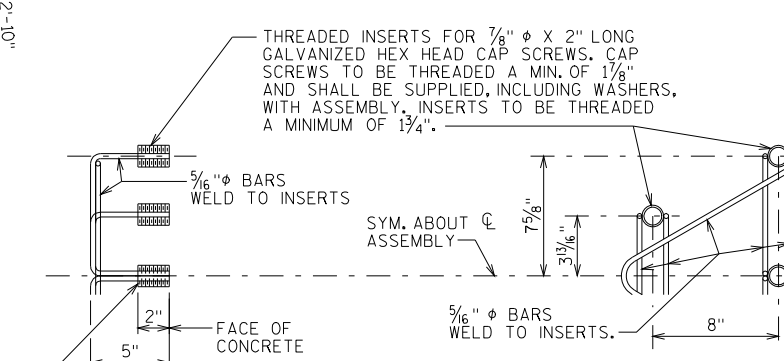
BAR MARK	COAT	NO.	LENGTH	BENT	BAR SERIES	LOCATION
R501	X		4-5	X		PARAPET VERT.
R502	X		2-4	X		PARAPET VERT.
R503	X		4-7	X		PARAPET VERT.
R804	X					PARAPET HORIZ.
R505	X		6-6	X		PARAPET VERT.
R506	X			X		PARAPET HORIZ.
R507	X		5-8	X	▲	PARAPET HORIZ.
R808	X			X		PARAPET HORIZ.

BAR SERIES TABLE

MARK	NO. REOD.	LENGTH
R507	4 SERIES OF 6	4-10 TO 6-6



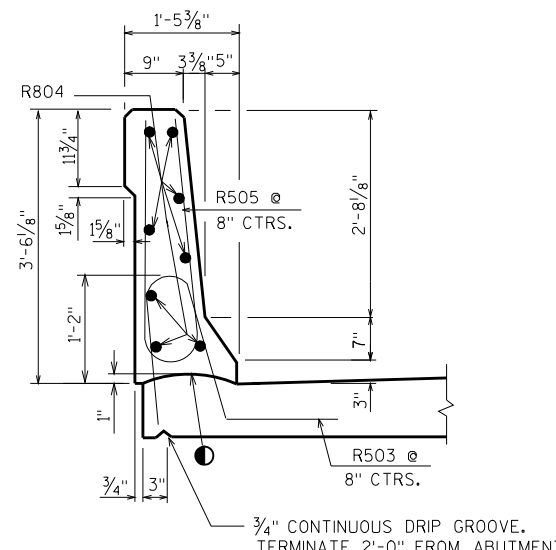
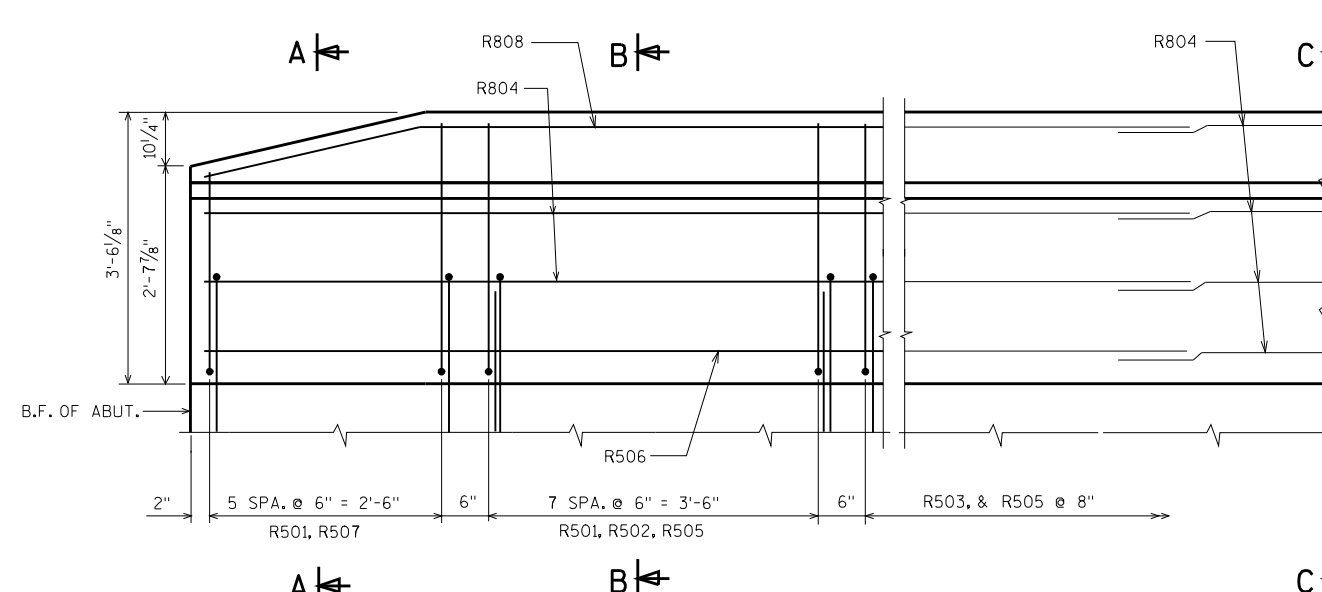
OPTIONAL CONSTRUCTION JOINTS IN THE PARAPETS MAY BE USED. RUN BAR REINF THRU THE JOINT. LAP LONGIT. BARS A MIN. OF 3'-5" MIN. JOINT SPACING OF 80'-0" DEFINE CONST. JOINT WITH A 3/4" 'V' GROOVE.



DETAIL OF ANCHOR ASSEMBLY

NOTE: HEX HEAD CAP SCREWS & WASHERS TO BE GALVANIZED IN ACCORDANCE WITH AASHTO M232 CLASS C.

ASSEMBLY SHALL BE BID ITEM "ANCHOR ASSEMBLIES FOR STEEL PLATE BEAM GUARD", EACH.



- CONST. JOINT - STRIKE OFF AS SHOWN
- USE CARE TO PLACE R502 BARS CORRECTLY ALONG TRANSITION OF PARAPET.

NO.	DATE	REVISION	BY
STATE OF WISCONSIN DEPARTMENT OF TRANSPORTATION STRUCTURES DESIGN SECTION			
DRAWN BY		PLANS CK'D.	
SLOPED FACE PARAPET "HF"		SHEET	