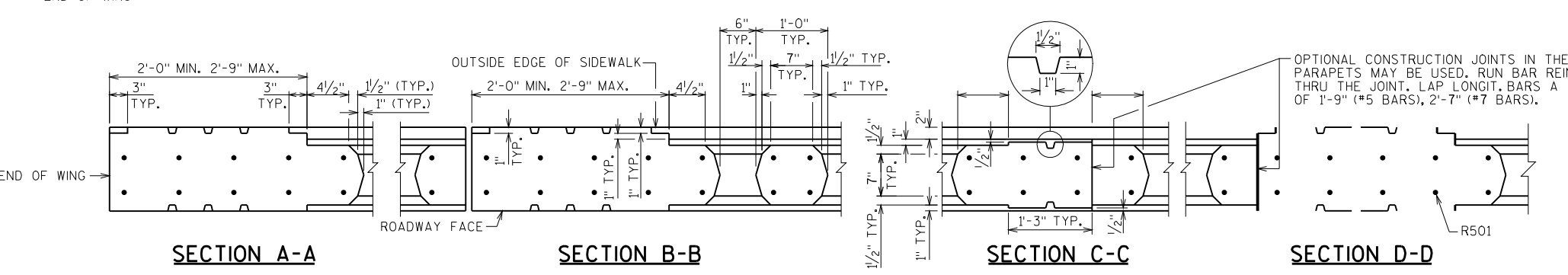
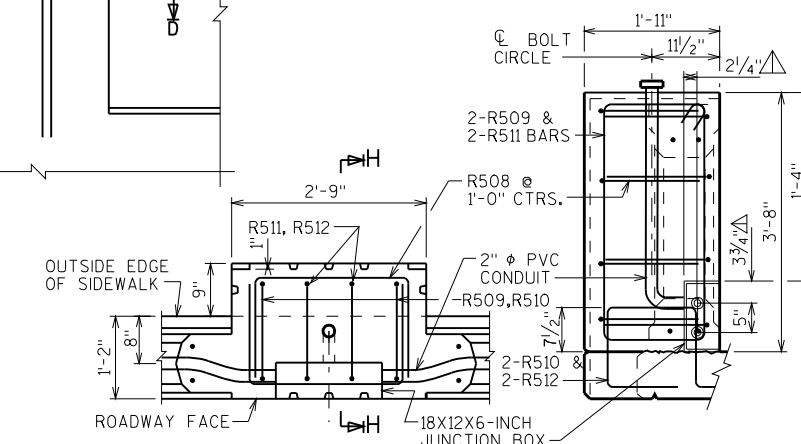
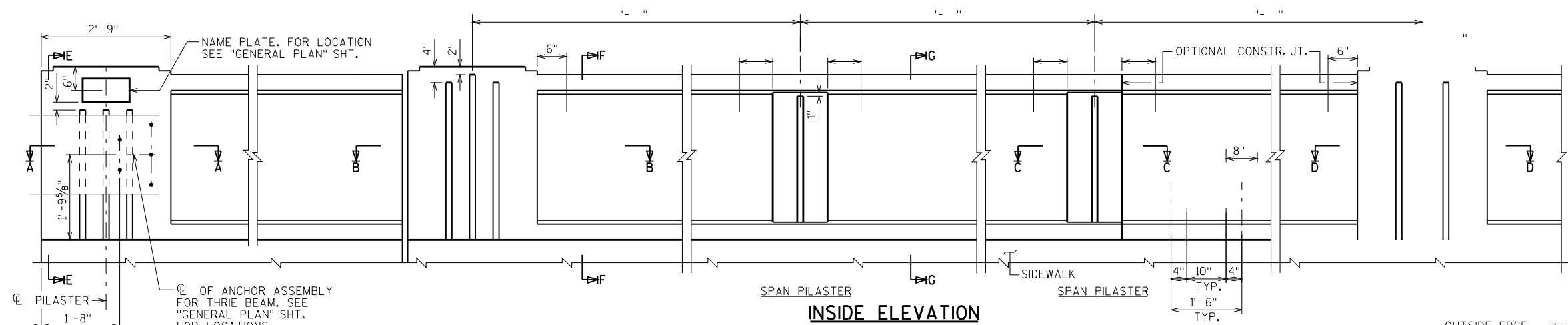


**NOTES**

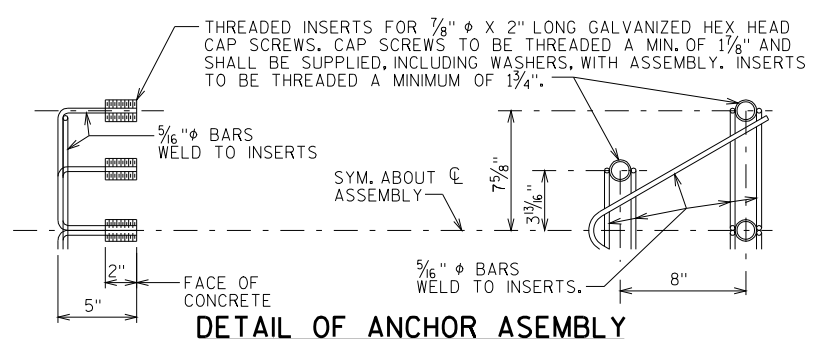
BID ITEM SHALL BE "PARAPET CONCRETE TYPE 'TX'", WHICH SHALL INCLUDE ALL ITEMS SHOWN.

● HORIZ. CONST. JOINT - STRIKE OFF AS SHOWN AND LEAVE ROUGH.



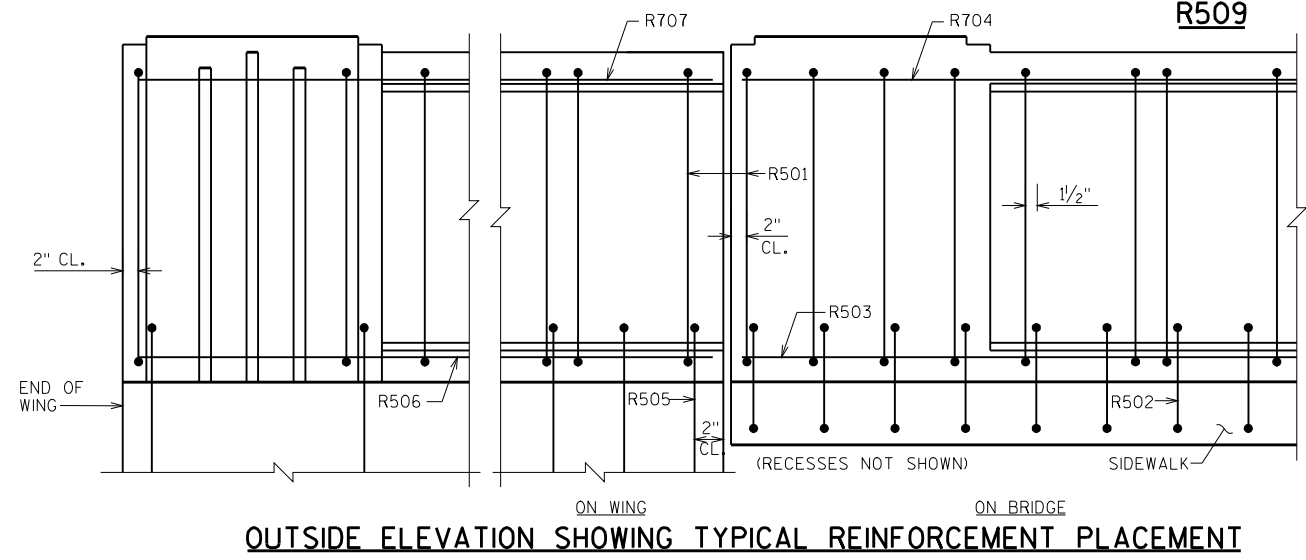
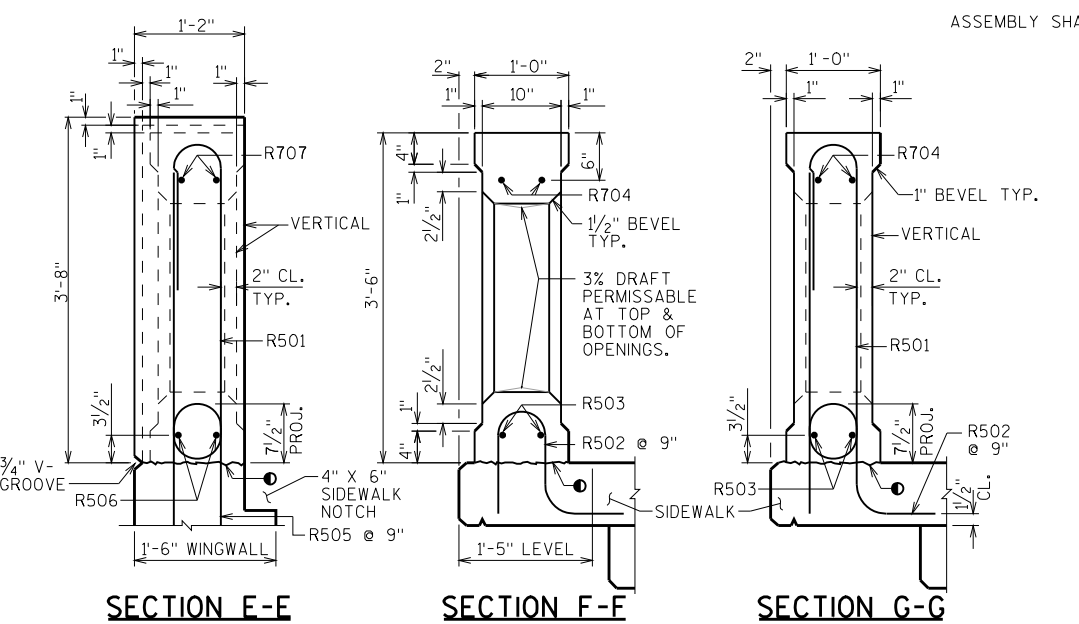
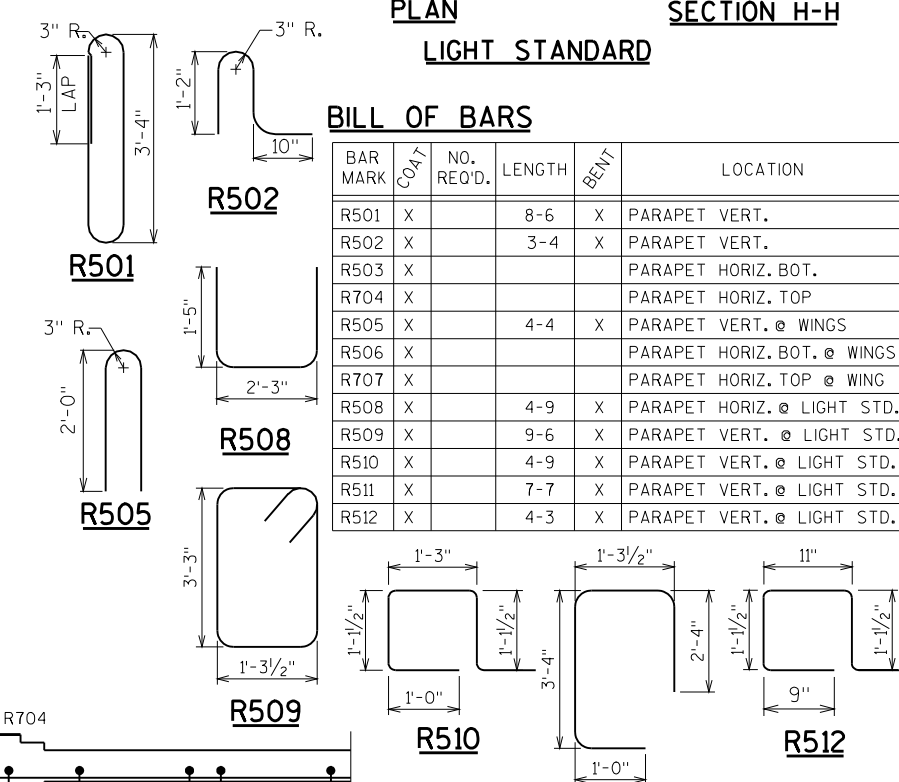
**BILL OF BARS**

BAR MARK	COAT	NO. REQ'D.	LENGTH	BENT	LOCATION
R501	X		8-6	X	PARAPET VERT.
R502	X		3-4	X	PARAPET VERT.
R503	X				PARAPET HORIZ. BOT.
R704	X				PARAPET HORIZ. TOP
R505	X		4-4	X	PARAPET VERT. @ WINGS
R506	X				PARAPET HORIZ. BOT. @ WINGS
R707	X				PARAPET HORIZ. TOP @ WING
R508	X		4-9	X	PARAPET HORIZ. @ LIGHT STD.
R509	X		9-6	X	PARAPET VERT. @ LIGHT STD.
R510	X		4-9	X	PARAPET VERT. @ LIGHT STD.
R511	X		7-7	X	PARAPET VERT. @ LIGHT STD.
R512	X		4-3	X	PARAPET VERT. @ LIGHT STD.



NOTE: HEX HEAD CAP SCREWS & WASHERS TO BE GALVANIZED IN ACCORDANCE WITH AASHTO M232 CLASS C.  
ASSEMBLY SHALL BE BID ITEM "ANCHOR ASSEMBLY FOR BEAM GUARD", EACH.

**WINDOW DETAILS**



NO.	DATE	REVISION	BY
STATE OF WISCONSIN DEPARTMENT OF TRANSPORTATION STRUCTURES DESIGN SECTION			
<b>STRUCTURE</b>			
DRAWN BY		PLANS CK'D.	
<b>VERTICAL FACE PARAPET 'TX'</b>			SHEET

8

8

12  
1.23

SCALE =