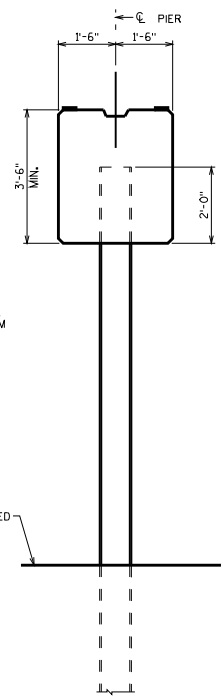


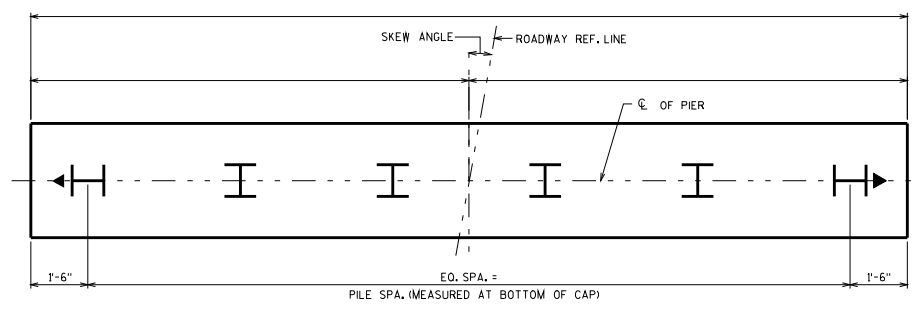
ELEVATION
LOOKING UP STATION



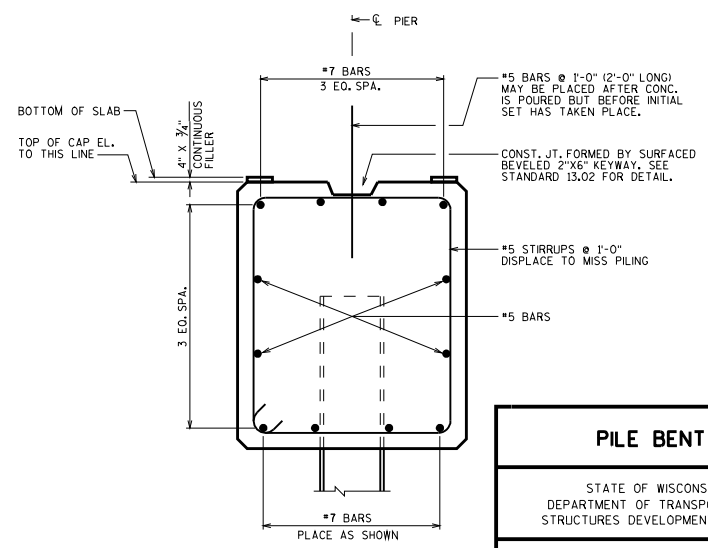
END VIEW

GENERAL NOTES

- BEARING SEAT AREAS SHALL BE LEVEL EXCEPT FOR THE TWO CASES LISTED BELOW:
1. FOR GIRDERS WITH 1/2" ELASTOMERIC BEARING PADS WHEN THE BOTTOM OF THE GIRDERS SLOPE MORE THAN 1%.
 2. WHEN A CAP IS USED FOR CONCRETE SLAB SUPERSTRUCTURES MAKE THE TOP OF THE CAP PARALLEL TO GRADE. SEE STANDARD 18.01
- SEE STANDARD 12.01 FOR ADDITIONAL REINFORCING STEEL IN BEARING AREA FOR BEAM SEATS OF NON-SLOPED CAPS THAT ARE 4" OR MORE ABOVE LOWEST BEAM SEAT.



PLAN



SECTION A-A

PILE BENT	
STATE OF WISCONSIN DEPARTMENT OF TRANSPORTATION STRUCTURES DEVELOPMENT SECTION	
APPROVED: Scot Becker	DATE: 1-09