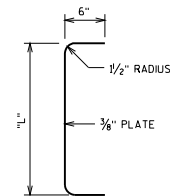


PART TRANSVERSE SECTION AT DIAPHRAGM

GIRDER HEIGHT	DIM. "A"	DIM. "B"	DIM. "L"	* DIM. "X"
28"	1'-0 7/8"	5 5/8"	9 1/2"	2 1/4"
36"	1'-2 7/8"	9 7/8"	1'-1 1/2"	3 1/4"
45"	1'-5 3/8"	1'-1 7/8"	1'-5 1/2"	2 1/4"
45W"	1'-9 1/4"	8 1/2"	1'-0 1/2"	2 3/4"
54"	1'-7 7/8"	1'-5 7/8"	1'-9 1/2"	4 1/4"
54W"	1'-9 1/8"	1'-5 7/8"	1'-9 1/2"	4 1/4"



SECTION THRU ALTERNATE DIAPHRAGM

*DIM "X" = 2 1/2" FOR ALTERNATE PLATE DIAPHRAGM

NOTES

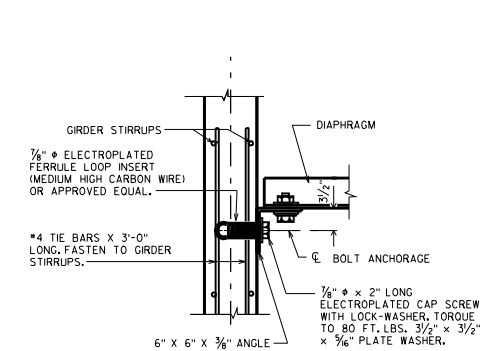
ALL DIAPHRAGM MATERIAL NOT EMBEDDED IN THE CONCRETE GIRDER SHALL BE PAID FOR AT THE UNIT PRICE BID FOR "STEEL DIAPHRAGMS B-...-", EACH.

EACH DIAPHRAGM BETWEEN GIRDERS SHALL CONSTITUTE ONE UNIT.

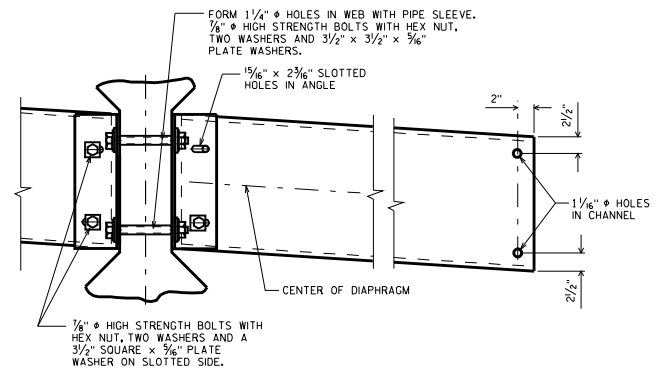
ALL DIAPHRAGM STRUCTURAL STEEL SHALL BE ASTM A709 GRADE 36. ALL BOLTS, NUTS AND WASHERS SHALL BE ASTM A325 TYPE 1.

ALL DIAPHRAGM STRUCTURAL STEEL SHOWN SHALL BE HOT-DIPPED GALVANIZED. ALL BOLTS, NUTS AND WASHERS SHALL BE HOT-DIPPED GALVANIZED IN ACCORDANCE WITH ASTM A153 CLASS C. GALVANIZED NUTS SHALL BE TAPPED OVERSIZED IN ACCORDANCE WITH THE REQUIREMENTS OF ASTM A563 AND SHALL MEET THE REQUIREMENTS OF SUPPLEMENTARY REQUIREMENT S1 OF ASTM A563, LUBRICANT AND TEST FOR COATED NUTS.

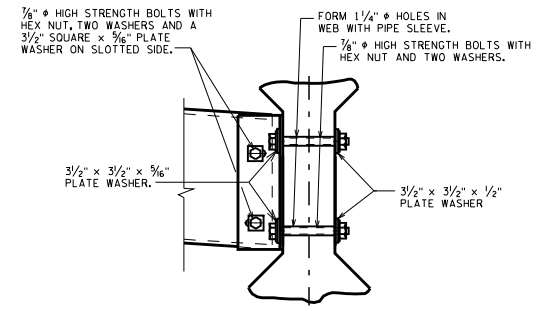
FOR SPANS EQUAL TO OR LESS THAN 80'-0", PLACE ONE DIAPHRAGM AT MID-LENGTH OF GIRDER. FOR SPANS OVER 80'-0", PLACE AT 1/3 AND 2/3 POINTS.



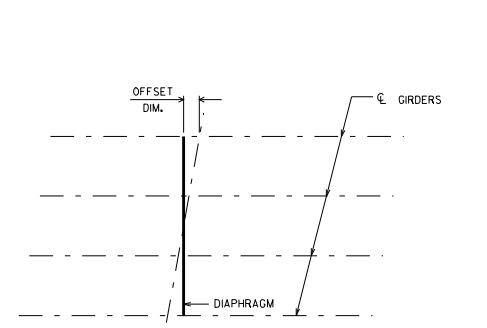
SECT. A-A
(FOR EXTERIOR ATTACHMENT)



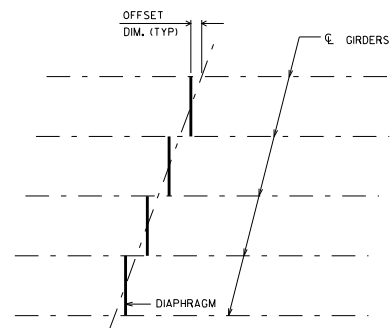
DETAIL B
(FOR CONTINUOUS LINE OF DIAPHRAGMS)



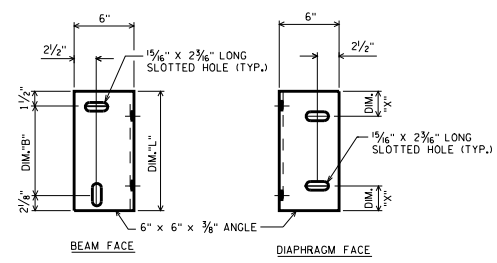
SECTION AT INTERIOR GIRDERS THRU DIAPHRAGM FOR SKEW ANGLES > 10°



PLAN FOR SKEW ANGLES ≤ 10°



PLAN FOR SKEW ANGLES > 10°



DIAPHRAGM SUPPORT

INTERM. STEEL DIAPHS. FOR 28", 36", 45", 45W" 54" & 54W" PRESTRESSED GIRDERS

STATE OF WISCONSIN
DEPARTMENT OF TRANSPORTATION
STRUCTURES DEVELOPMENT SECTION

APPROVED: Scot Becker DATE: 7-09