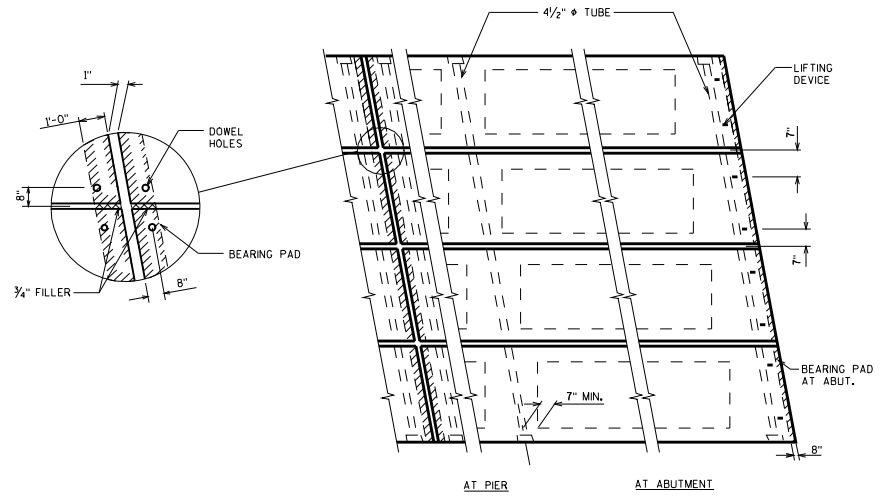
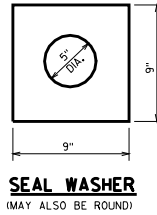
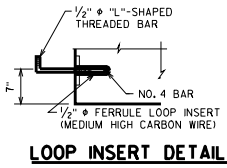
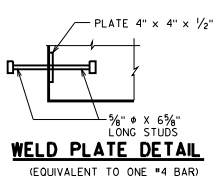


POST-TENSIONING DETAILS

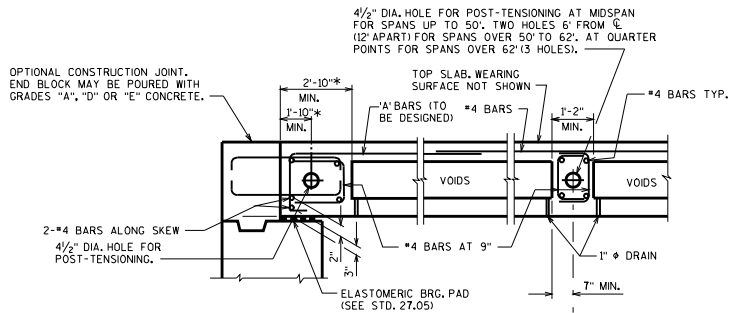


TYPICAL PLAN



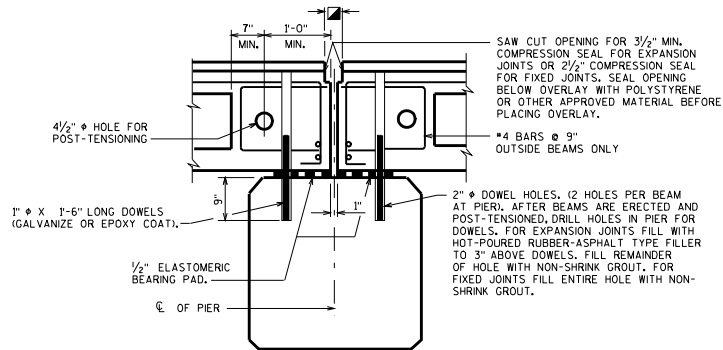
LEGEND

- * WHEN WINGS ARE PARALLEL TO ABUTMENT \bar{C} , CHOOSE THESE DIMENSIONS TO ALLOW FOR EASE OF POST-TENSIONING OPERATION.
- MINIMUM INSTALLATION WIDTH PLUS 1/4".



AT ABUTMENTS

TYPICAL LONGITUDINAL SECTION



LONGITUDINAL SECTION AT PIER

SEE CHAPTER 19 OF THIS MANUAL FOR POLICY ON SELECTING 3'-0" SECTIONS OR 4'-0" SECTIONS.

PRESTRESSED SLAB AND BOX GIRDER DETAILS

STATE OF WISCONSIN
DEPARTMENT OF TRANSPORTATION
STRUCTURES DEVELOPMENT SECTION

APPROVED: **Scot Becker**

DATE:
7-09