

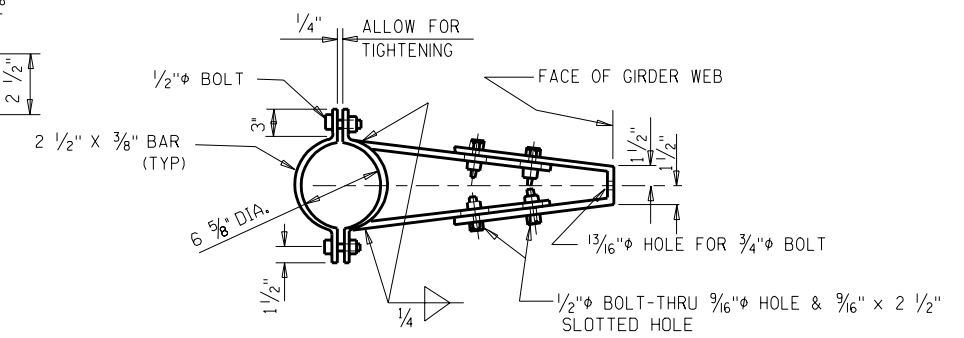
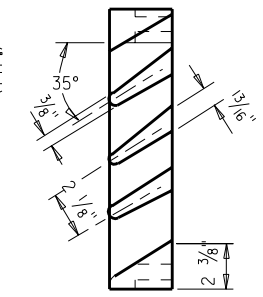
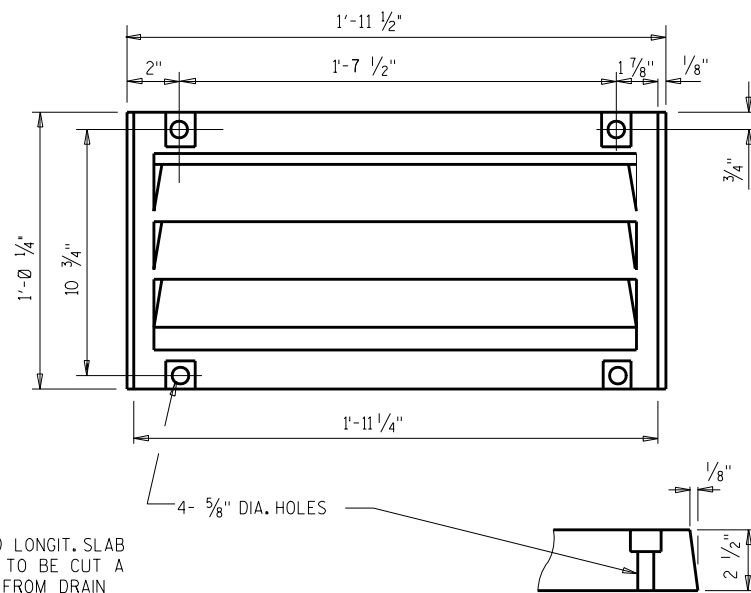
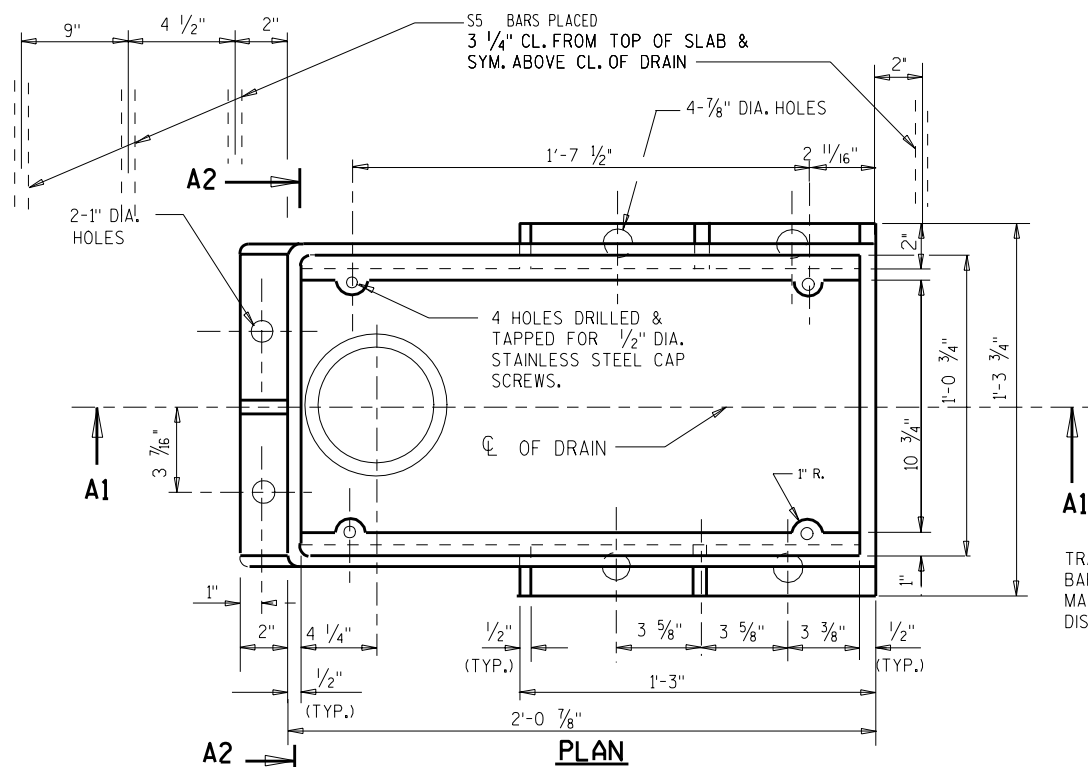
GENERAL NOTES

ALL MATERIAL FOR TYPE 'GC' CASTING, EXCLUDING GRATE HOLD DOWN SCREWS, SHALL BE GRAY IRON CONFORMING TO A.S.T.M. A48, CLASS 30. (APPROX. WEIGHT = 225#)

MATERIAL FOR BRACKETS SHALL CONFORM TO A.S.T.M. A36.

THE CONTRACTOR MAY PROPOSE AN ALTERNATE TYPE OF BRACKET. THE PROPOSED ALTERNATE DETAILS SHALL BE SUBMITTED AND SUBJECT TO THE APPROVAL OF THE ENGINEER.

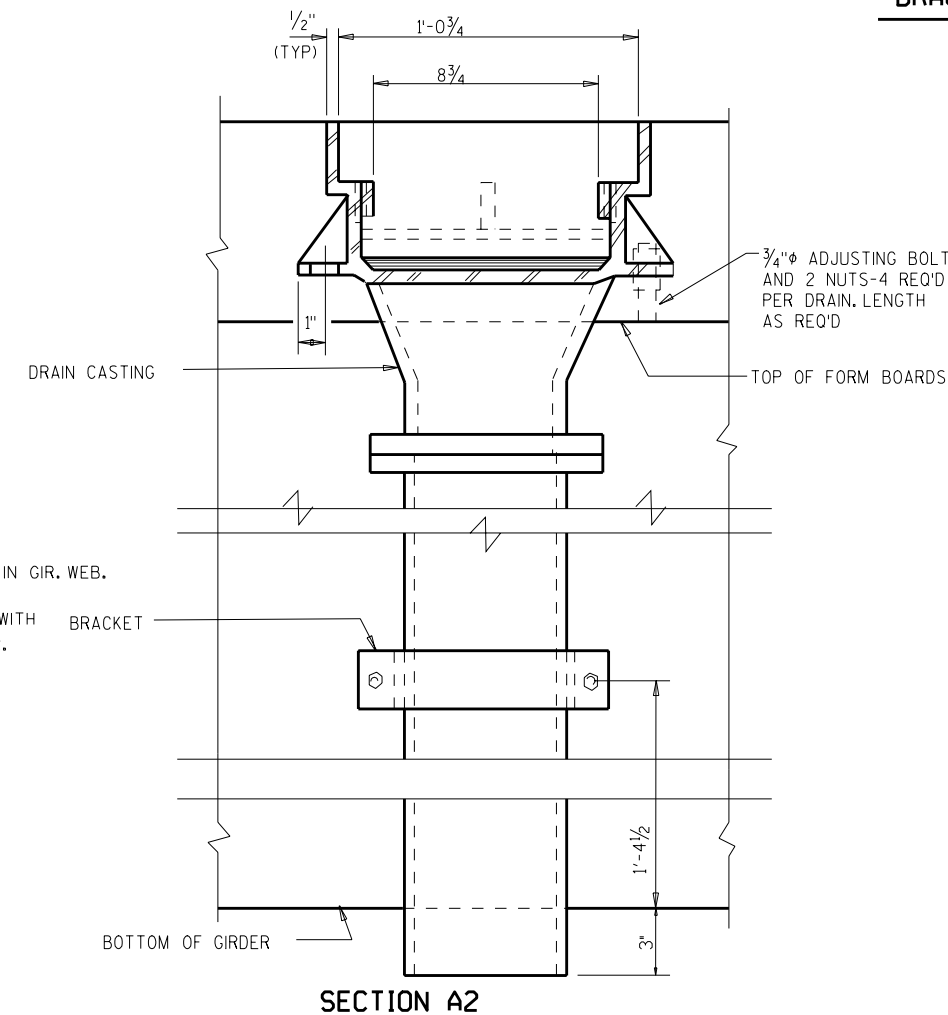
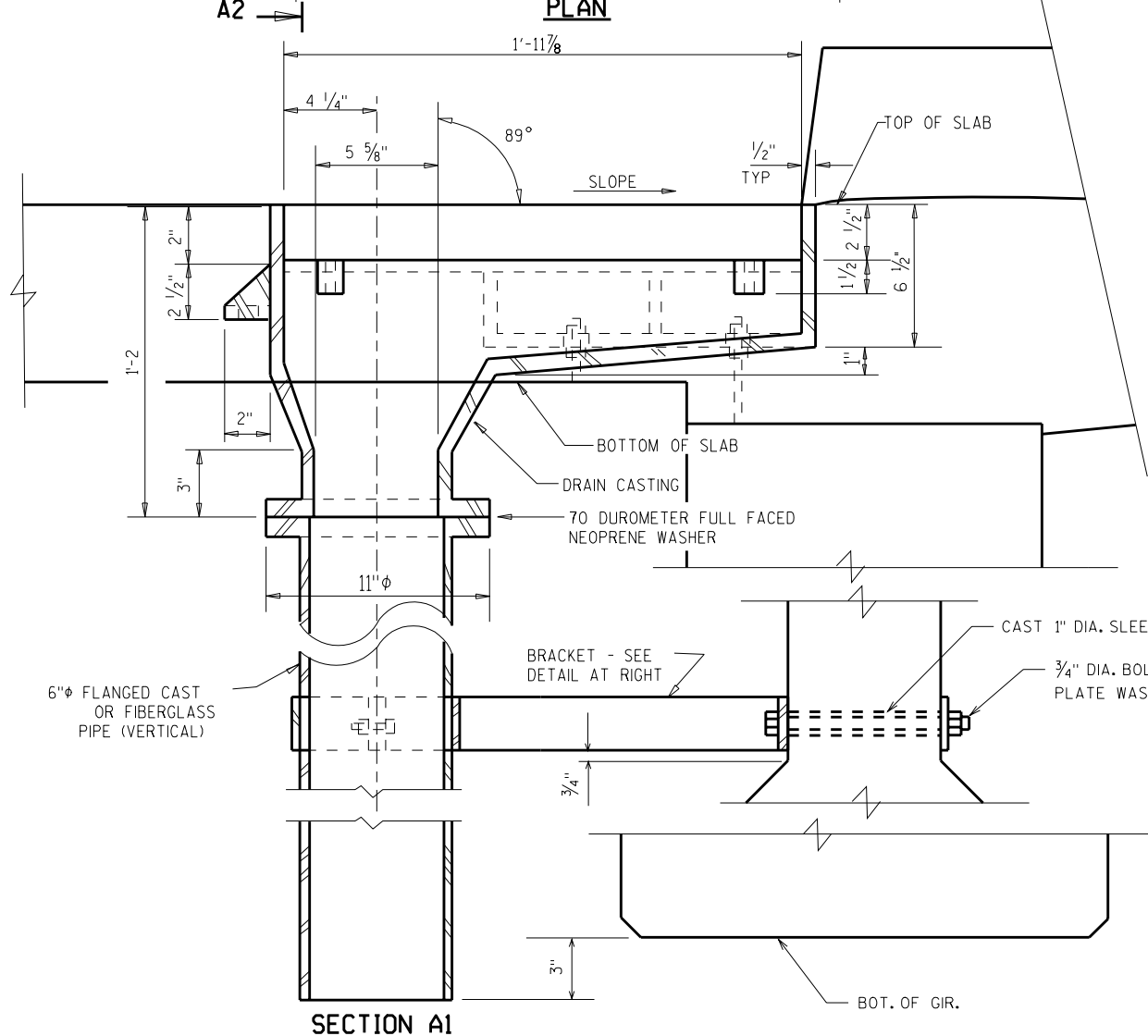
FLANGED 6" DIA. DOWNSPOUTS SHALL BE EITHER CAST MATERIAL OR FIBERGLASS CONFORMING TO A.S.T.M. D2996, GRADE I, CLASS A.



TRANS. AND LONGIT. SLAB BAR REINF. TO BE CUT A MAX. 1" CL. FROM DRAIN DISPLACE BARS WHERE POSSIBLE

GRATE CASTING DETAIL

ATTACH GRATE TO FRAME FOR SHIPMENT



NO.	DATE	REVISION	BY
STATE OF WISCONSIN DEPARTMENT OF TRANSPORTATION STRUCTURES DESIGN SECTION			
STRUCTURE			
DRAWN BY		PLANS CK'D.	
FLOOR DRAIN TYPE 'GC'			SHEET