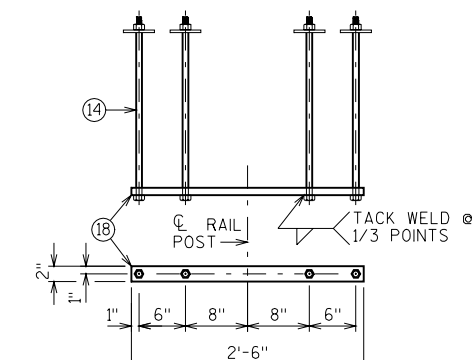
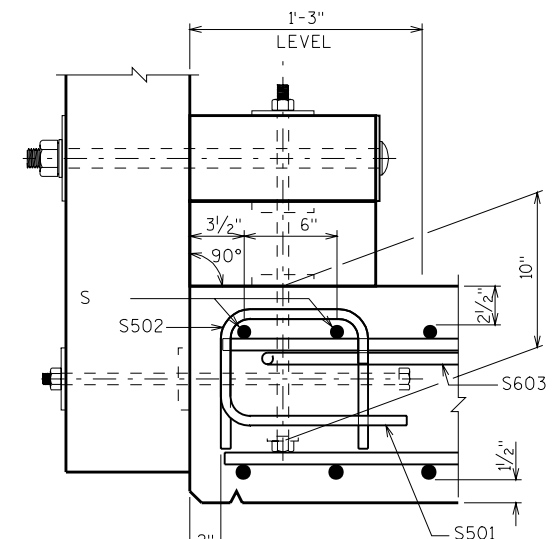
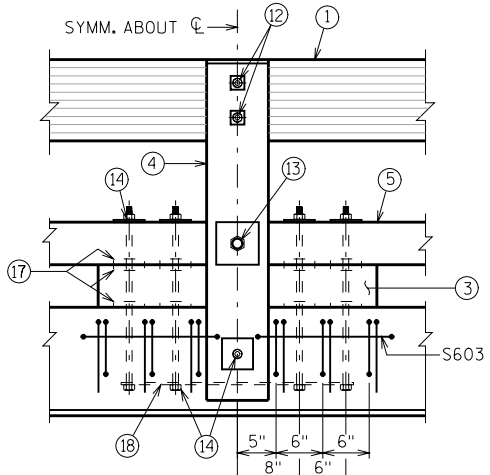
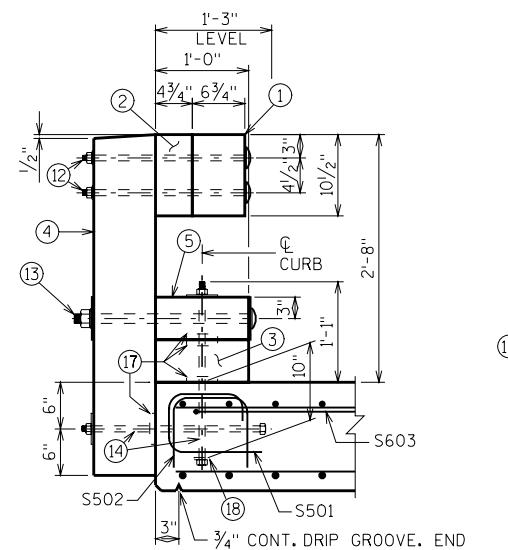


BILL OF BARS NOTE: THE FIRST DIGIT OF THE BAR MARK SIGNIFIES THE BAR SIZE.

BAR MARK	COAT	NO. REQ'D.	LENGTH	BENT	LOCATION
S501	X	2-4		X	RAIL POST VERTICAL
S502	X	2-1		X	RAIL POST VERTICAL
S603	X	12-9		X	RAIL POST HORIZONTAL
S	X				EDGE OF SLAB LONGITUDINAL



* DIMENSION IS TAKEN NORMAL TO C SUBSTRUCTURE
▲ DIMENSION IS TAKEN ALONG EDGE OF SLAB

SEE SHT. FOR RAILING DETAILS.

NO.	DATE	REVISION	BY

STATE OF WISCONSIN
DEPARTMENT OF TRANSPORTATION
STRUCTURES DESIGN SECTION

STRUCTURE

TIMBER RAILING ATTACHED TO CONCRETE SLAB

DRAWN BY: _____ PLANS CK'D: _____

SHEET